

# Flexy Zen



# Flexy Zen

Modular system with a modern, minimalist design that allows to cover large areas without central obstruction. The inclined elliptical poles characterize the unique design of the product. Available in 10 different sizes that can be combined with each other, having the possibility to cover large areas. Ideal for contract use (hotels, restaurants...) and residential applications (villas, private gardens). The canopy, which can be easily closed thanks to a winch system, tilts for added shade during the day. It is available with an integrated LED lighting system in the poles. The structure is made of aluminium with stainless steel hardware. The Flexy Zen can be supplied with both freestanding or in-ground mount bases. All FIM products are designed and made in Italy using the finest materials for exterior use to ensure long life even under the harshest environmental conditions.







- Apertura con arganello
- Winch opening
- Ouverture par treuil
- Öffnung mit Kurbel
- Abertura mediante manivela

- Copertura composta da pannelli indipendenti
- Cover made of individual panels
- Couverture par panneaux indépendants
- Bezug aus individuellen Segmenten
- Cubertura compuesta de paneles independientes



- Inclinazione del telo
- Tilt system of the canopy
- Système d' inclinaison de la toile
- Neigevorrichtung des Bezuges
- Sistema de inclinación de la tela

Dimensioni - Size - Dimensions  
Abmessungen - Medidas

300x369 - 250x369

# Frame finishes



ANODIC

*The materials used have been specifically selected and treated to maintain our products durability and consistency over time.  
The colors may differ from the real ones.*



COD. GBASE005400 + GZAV0000300

**GRUPPO BASE FLEXY ZEN**

Hot deep galvanized steel base, with ballast and powder coated aluminum cover.

Tessuto acrilico tinto in massa  
Solution dyed Acrylic Fabric  
Tissu Acrylique Teint Masse  
Spinndüsengefärbter Acrylstoff  
Tejido Acrílico colorado en masa



S00 Natural  
5404



S01 Canvas  
5453



S03 Heather Beige  
5476



Z03 Lin  
3780



S04 Taupe  
3729



S16 Shingles  
3706



Z09 Lead Chiné  
3756



S18 Gray  
3737



N01 Sooty  
10030



S13 Black  
5408



S33 Mimosa  
3938



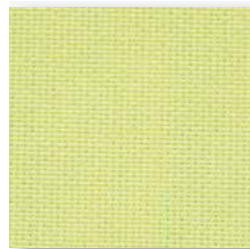
S11 Tuscany  
5417



S14 Logo Red  
5477



S06 Macao  
3738



Z26 Lime  
3936



S05 Mineral Blue  
5420



S09 Navy Blue  
5439



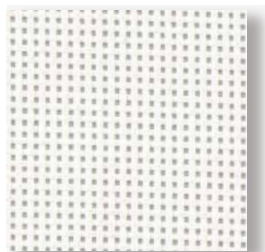
S30 Blue Storm  
3942



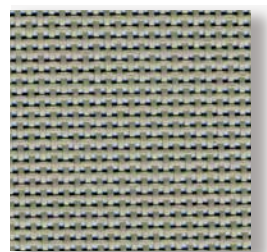
S29 Burgundy  
5436

I colori raffigurati possono differire da quelli reali.  
The colors may differ from the real ones.  
Les couleurs ne sont pas contractuelles.  
Die obene Farben können nicht ähnlich sein.  
Los colores pueden ser distintos de los colores de los tejidos.

Tessuto Microforato  
Micro-Mesh Fabric  
Tissu Micro Ajouré  
Mikro-Netzgewebe  
Tejido Microperforado



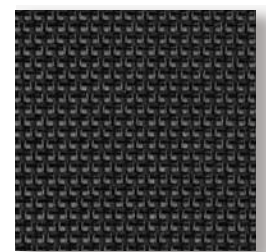
M03 Bianco  
5001



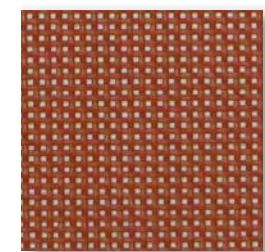
M01 Cenere  
5014



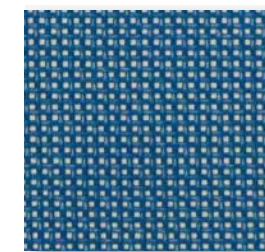
M08 Gris Platine  
5374



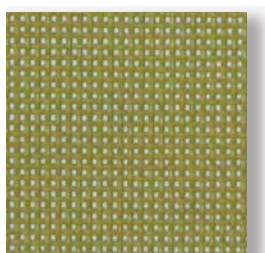
M00 Nero  
5005



M09 Ambra  
5016



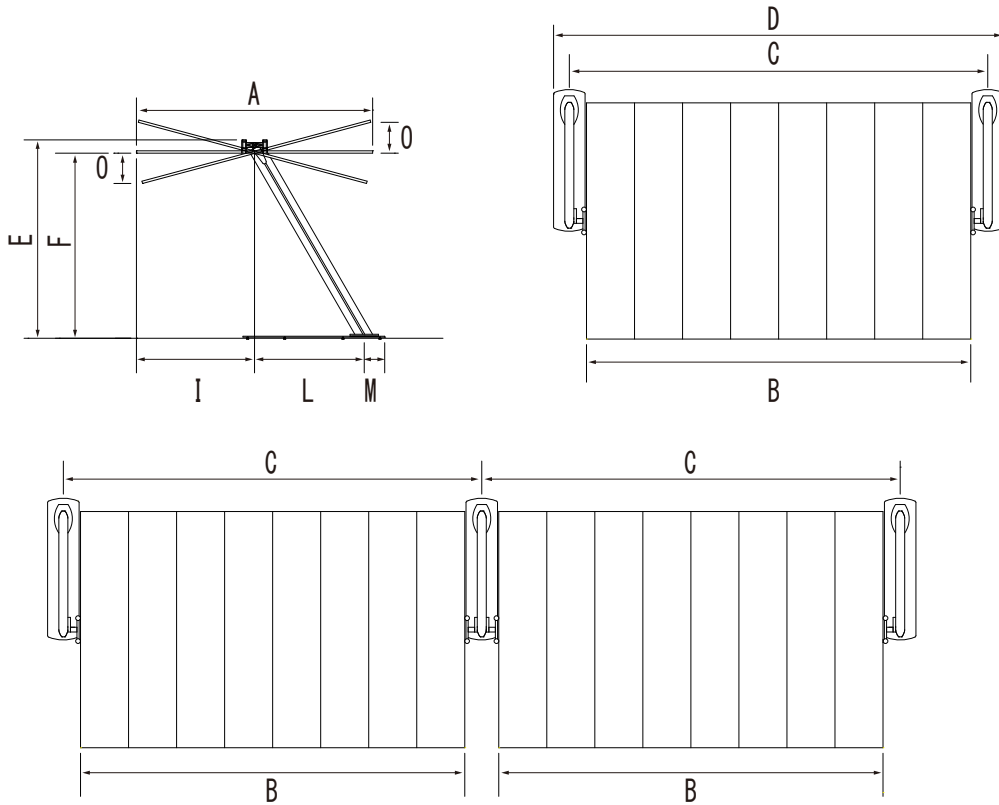
M06 Blue Ray  
50418



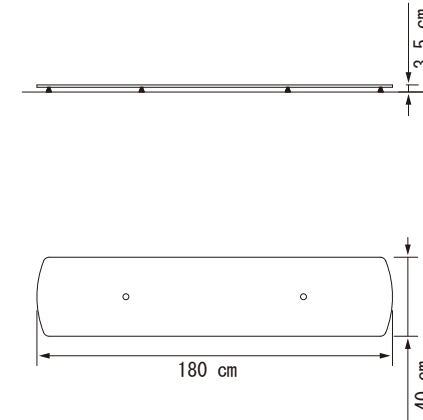
M07 Vert Absinthe  
5367






FLEXY ZEN BASE FE 1800X400



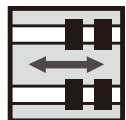
GBASE005400



PRODUCT	SIZE (cm)		TECHNICAL FEATURES			
	300x369	250x369	STRUCTURE			
FLEXY ZEN	●	●	Aluminium anodic	●	●	2x250 kg

FLEXY ZEN MEASURE TABLE													
SIZE (cm)	A	B	C	D	E	F	G	H	I	L	M	N	O
300X369	300	369	411	451	249	232	-	-	150	137	26	-	50
250X369	250	369	411	451	249	232	-	-	125	137	26	-	40

# SIMBOLS TABLE



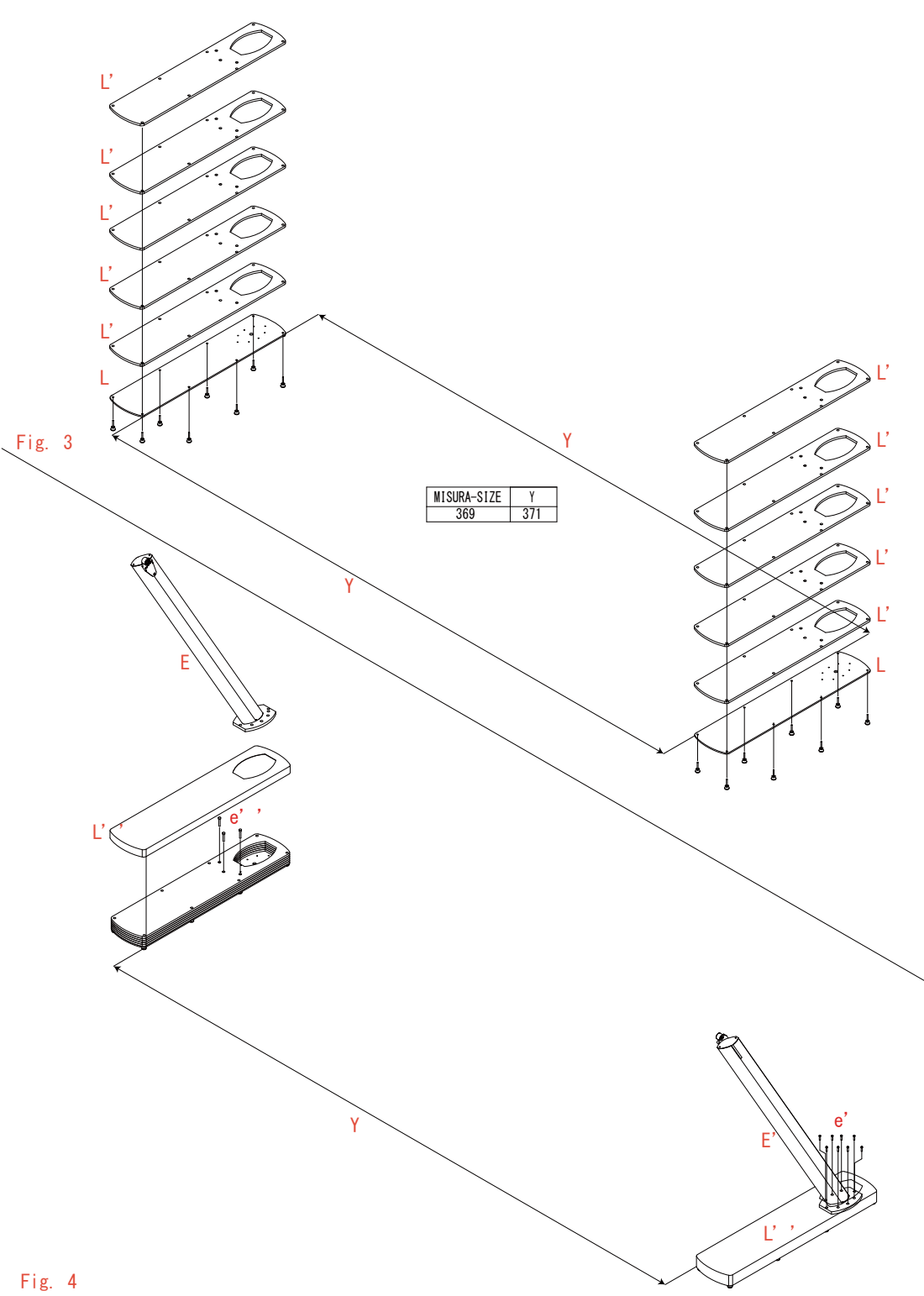
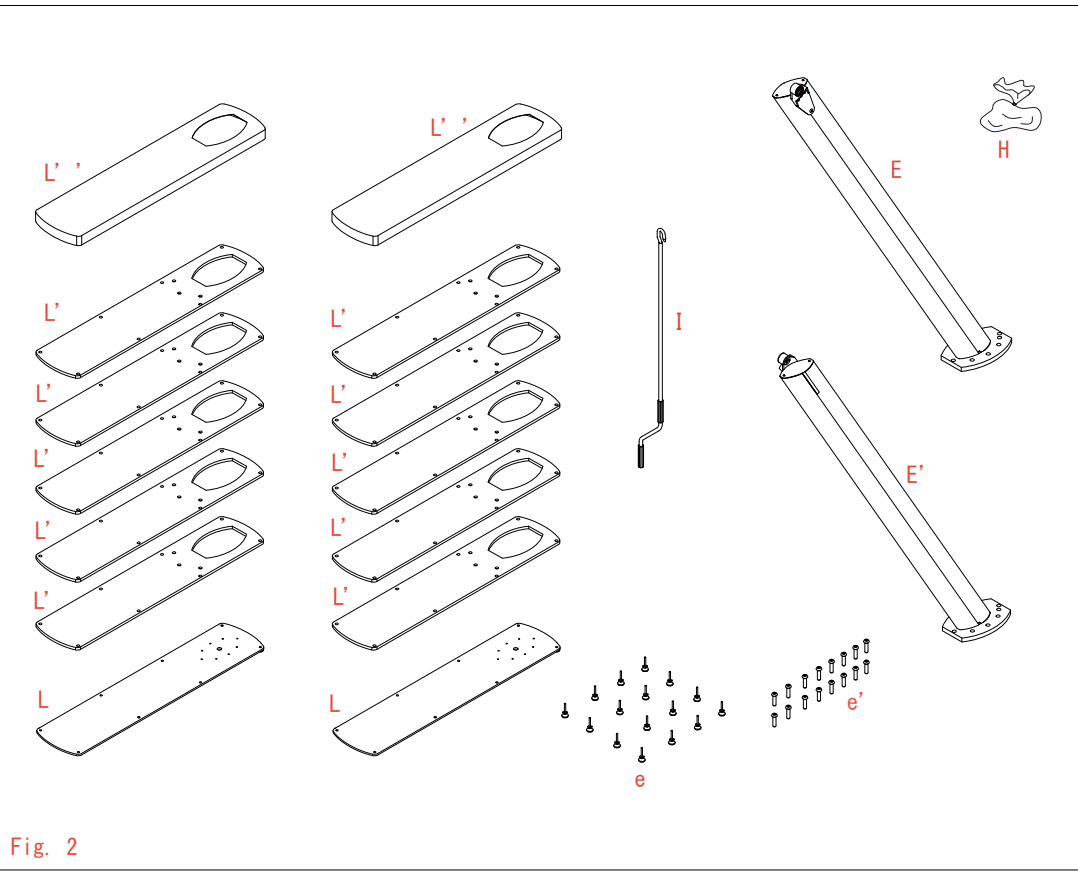
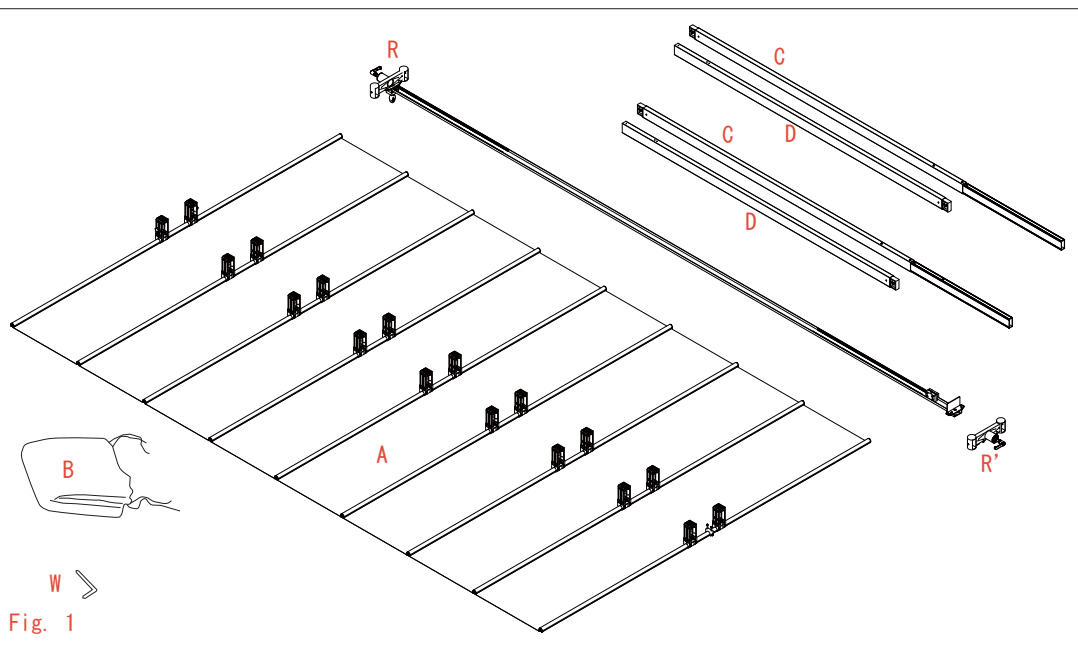
Double crossbar.



Tilt system of the canopy.



Minimum required base weight.



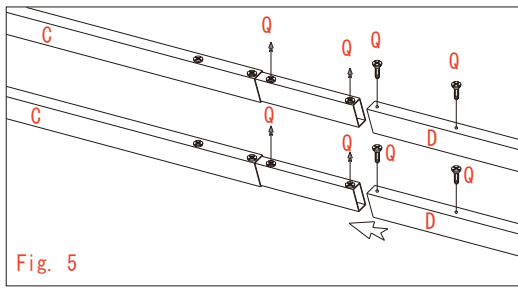


Fig. 5

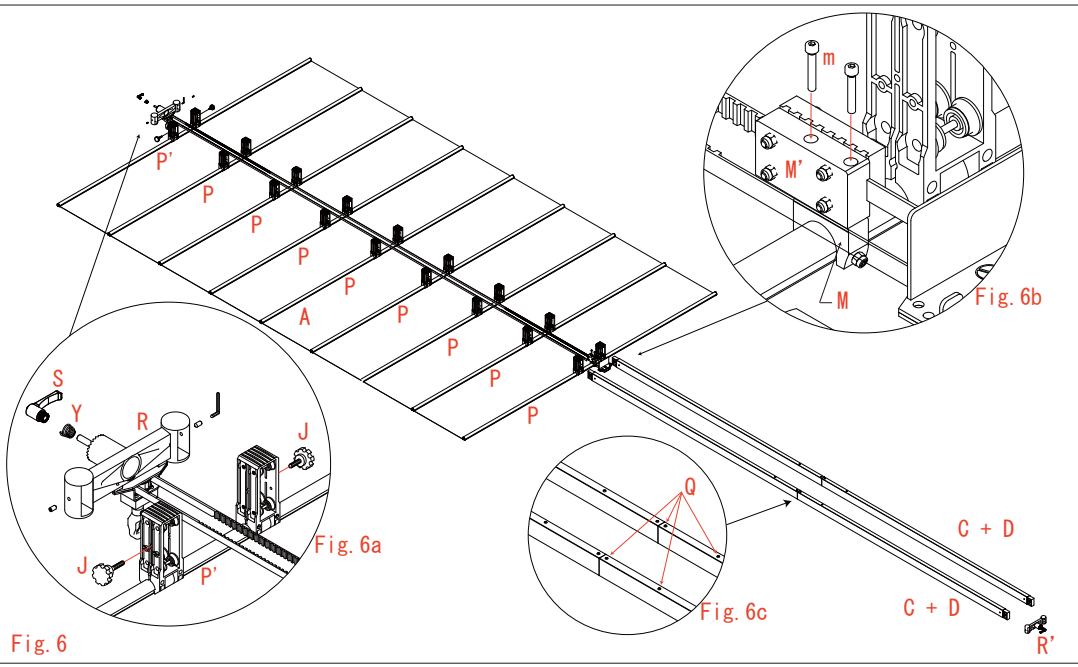


Fig. 6

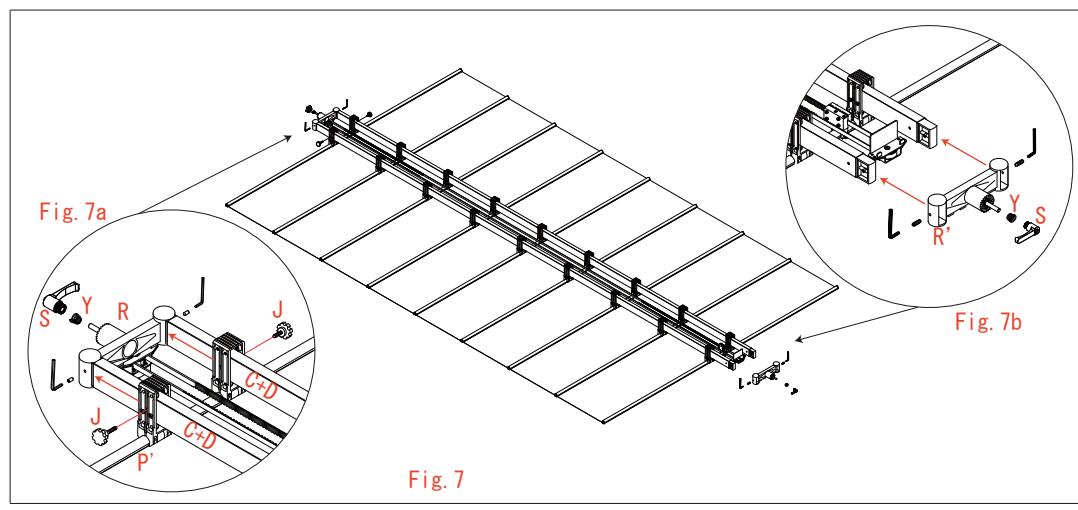


Fig. 7

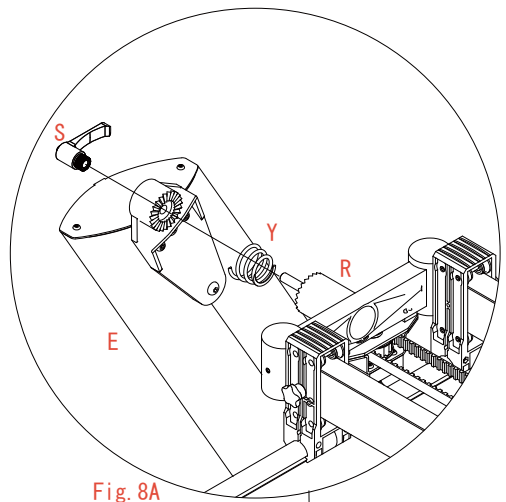


Fig. 8A

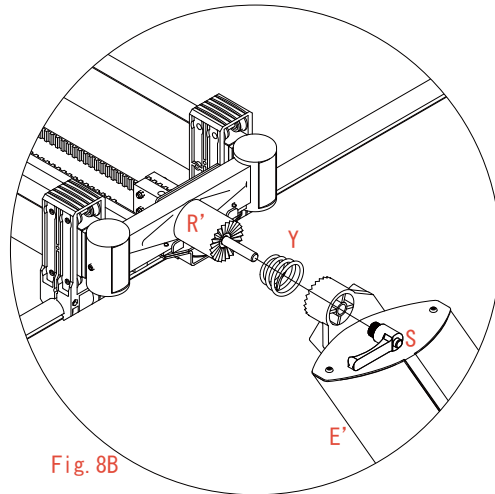


Fig. 8B

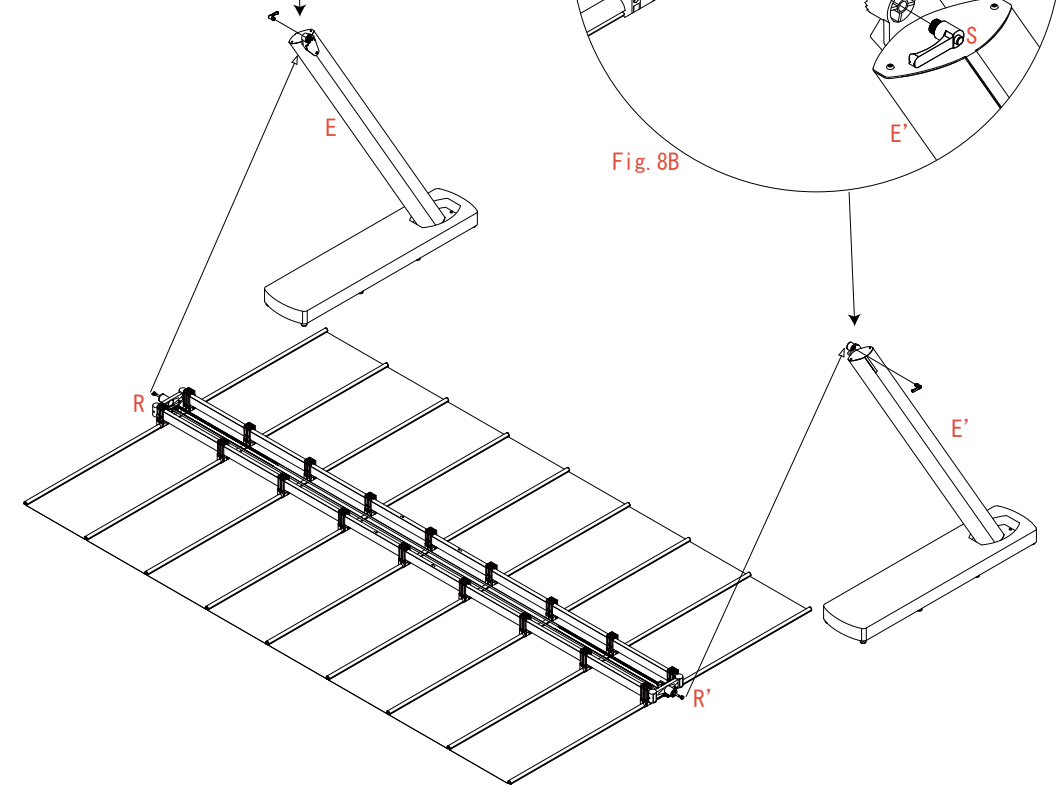


Fig. 8

